



Zirbel Twister WE01

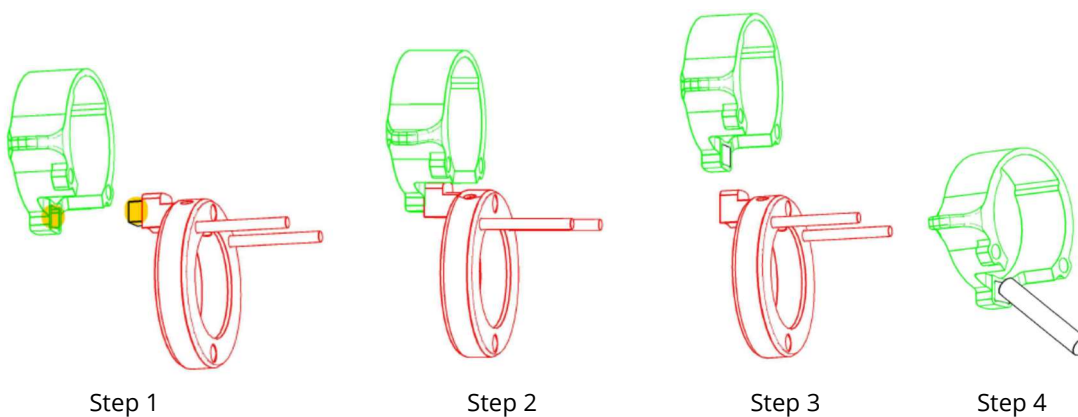
How to glue the magnets inside the Twister Ring

Step 1: Attract the center magnet (5x4x3mm) by the magnet of the Magnetring. Add some 2-component glue¹ inside the center hole of the Twister Ring.

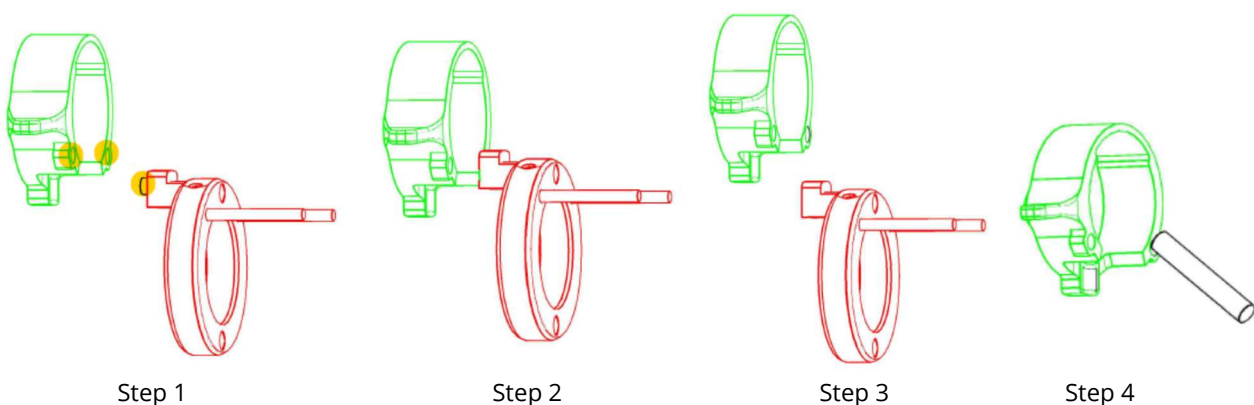
Step 2: Push the magnet via Magnetring inside the hole.

Step 3: Remove the Magnetring sidewise that the magnet sticks in the hole of the Twister Ring.

Step 4: Press the magnet completely into the hole with a small stick. Wipe away the spare glue. The magnet should be located slightly inside the hole and not stick out.



Attract one of the small magnets (3Ø x 2mm) for the sideward holes of the Twister Ring by the magnet of the Magnetring and glue the magnet into one of the sideward holes with the same procedure as above (Step 1 – 4). Glue the second magnet into the other hole. The magnets should be located slightly inside the holes and not stick out.



¹ We use a fast hardener 2-component epoxy resin glue.